

HORECA / OCS - TABLE TOP > VITRO S1 > 1BEVS1ESP00 - VITRO S1 ESP+2/BE/M03
A2_00_31001

VITRO S1

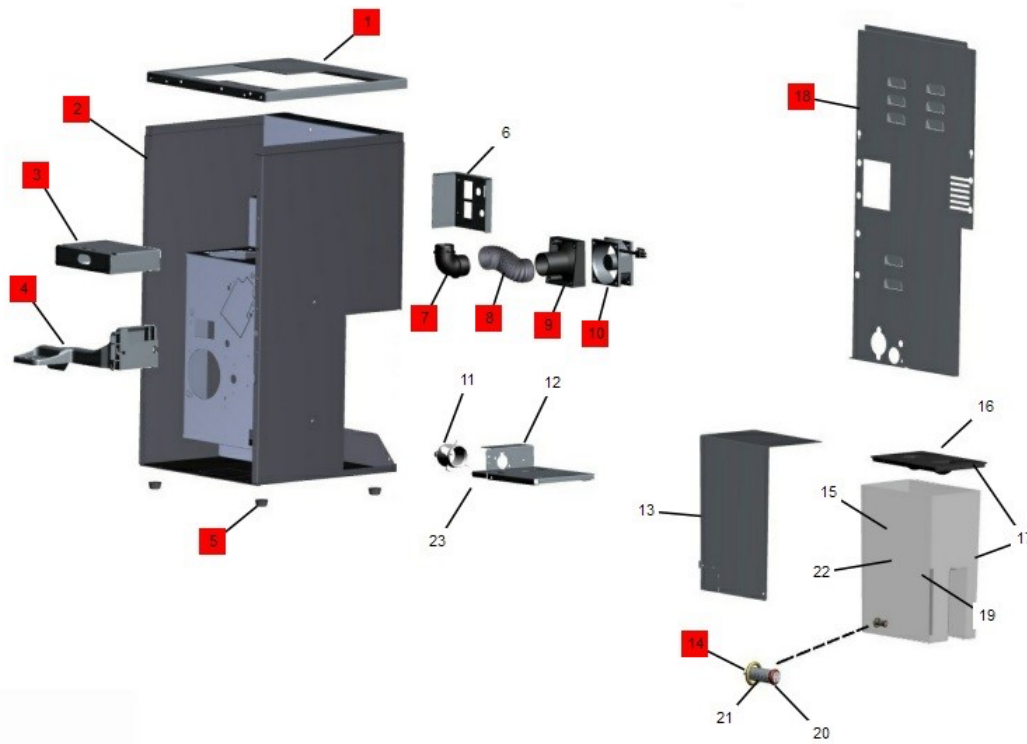
A20031001



Item	Part number	Description
1	42972031	VITRO S1 DOOR SELECTION PANEL
2	00002191	HEX.NUT W/WAS. DIN6923 M4 WH
3	08502300	Vitro S1/X1/X1 MIA Lock & Key
4	09718310	Crank of Closing
5	11049001	VITRO S1 DOOR
6	31231011	VITRO S1 DOOR'S REAR COVER CLIP
7	19074301	VITRO S1 DOOR HINGE
8	31230660	VITRO S1 DOOR HINGE ADDITIONAL SHEET
9	42933681	ASSY. VITRO S1 UPPER FRONT + MAGNET
10	39025971	VITRO S1 DISPLAY SUPPORT
11	11049151	CLIP 4 PUSH BUTTONS
12	41245881	VITRO S1 BUTTON
13	43320260	FOUR BUTTON BOARD VS
14	09720490	FLAT CALBE FLANGE RICHCO FCCS3
15	11049021	VITRO S1 DOOR REAR COVER
16	11049211	VITRO S1 CUP HOLDER REVERSIBLE SHELL
17	11049061	VITRO S1/X1/S5/M5/MIA CUP STAND
18	11049071	VITRO S1 GRID
19	11049041	VITRO S1 LOWER FRONT
19	42933691	ASSY. VITRO S1 LOWER FRONT + MAGNETS
20	11038081	VITRO S1 DRIP TRAY FLOAT
21	11049051	DRIP TRAY S1, X1, X1 MIA
22	11049081	VITRO S1 WASTE BIN
23	49055571	LABELS VITRO S1E+2 UK1
23	49055591	LABELS VITRO S1E+2 UK2
23	49055611	LABELS VITRO S1E+2 UK3
23	49055631	LABELS VITRO S1E+2 UK4
24	04001290	GROUT BIN SWITCH ARC.E3102AA
25	09727920	MAGNET NEODYMIUM CYLINDRICAL Ø5x2
25	42933691	ASSY. VITRO S1 LOWER FRONT + MAGNETS

VITRO S1

A20031003



Item	Part number	Description
1	31225521	VITRO S1+2 COVER
2	42043461	CABINET VITRO S1E+2
3	31230101	SOLUBLE CANISTER BASED VITRO S1E
4	11049091	VITRO S1 SPOUT HOLDER
5	09717940	Rubber Foot
7	11033471	CODO ASPIRACION TEMPO
8	29102270	Hose 1 1/4" Extra Flex
9	11026681	GROUND COFFEE FUNNEL
10	43109100	ASSY. FAN 60x60x25 24VDC VS1-VX1
12	31231071	BASE DEPOSIT VITRO S1
14	09712120	"OREP" SEAL O-RING 70Sh
18	31230341	VITRO S1 BACK COVER

VITRO S1

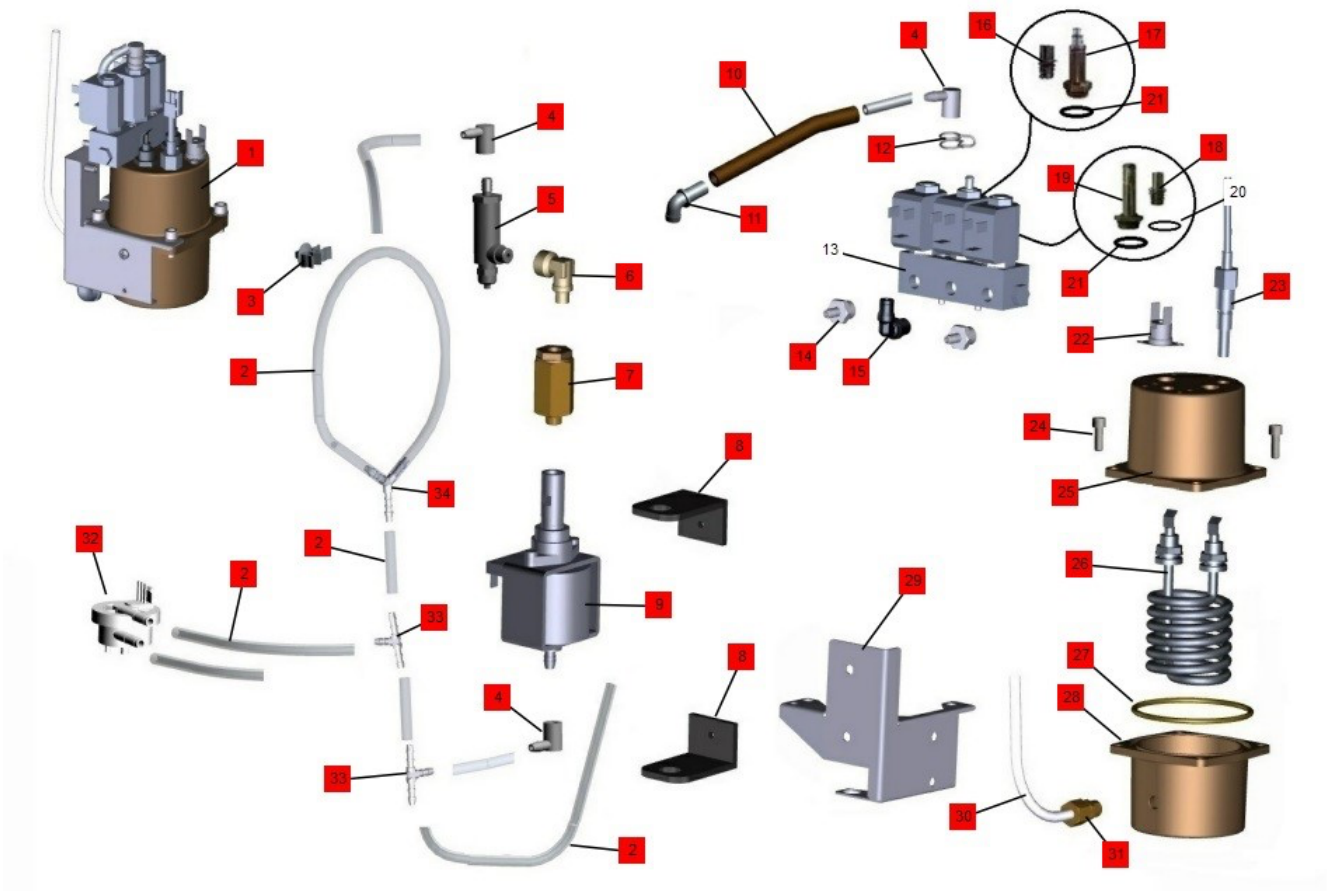
A20031005



Item	Part number	Description
1	11028691	STIRRER WHEEL
2	10015440	REMOVER SHAFT
3	11041951	LEFT ELBOW
4	09710240	34X3,53 ORSI 31 O-RING SEAL
5	11049981	CENTERING SHORT CANISTER COVER POLIC.
6	11038181	BACK COVER CANISTER 1,6 PC
7	11032541	CANISTER 1,6
7	41245821	ASSY. CANISTER 1.6 S/ RIGHT COVER PC
8	04101790	ING MOTOR / GEARBOX 24v 140 RPM
9	29101890	Red Tube Plat Cure 6x10
9	29101910	Blue Tube Plat Cure 6x10
10	11030381	DISPENSING NOZZLE R15 BROWN
11	11028781	SPIRAL LOCK
12	29101920	RED SHOCK ABSORBER
13	09712630	O-RING OR SI \varnothing 18,72x \varnothing 2.62
14	11028681	SHORT SPINDLE
15	11035671	HOLDER
16	11041961	PRODUCT OUTPUT SHELL
17	11041941	RIGHT ELBOW
18	41217321	COFFETEK WHIPPER ASSY-BEIGE (13.700 rpm)
19	11038351	Motor Retainer Beige
20	04101650	Whip Motor 24VDC 13700RPM
21	11037941	Whipper Base Assy Beige
22	54650	"O" RING 33.05 X 1.78 WHIPPER BASE
23	39021730	PTFE WASHER 12mm x 4.5 id
24	09718370	AXIS MIXER O-RING
25	11038271	MIXER BLADE IMPELLOR
26	11041911	Inlet pipe Natural (white)
27	09721030	O-RING SEAL NBR-70 8.1X1.6
28	11038921	Milano Steam Hood Beige
29	11038331	Whipper Chamber Beige
30	11049161	MOTOR INTERFACE
31	11032461	BUSHING INTERFACE- SOLUBLE CANISTER
32	11032541	CANISTER 1,6
32	41245811	ASSY. CANISTER 1.6 S/LEFT COVER PC

VITRO S1

A20031007

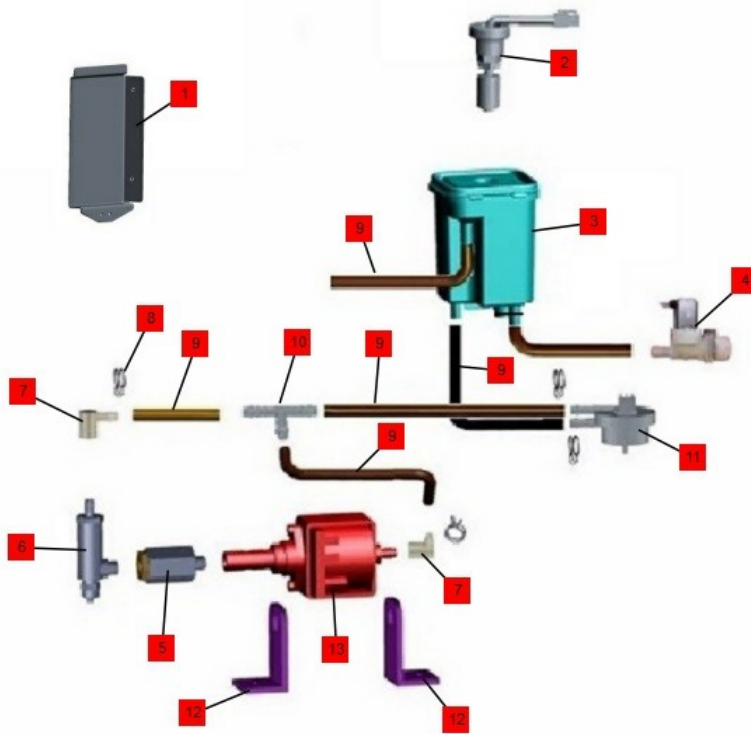


Item	Part number	Description
1	41245641	ASSY. VITRO S1E+2 BOILER
2	29101510	Silicone Tube 4x7mm
3	09715190	Support Clip (Double)
4	09712080	PUMP PIPETTE ULKA EX5
5	09717950	Pressure Valve
6	09707230	M-H (1/8) BRASS ELBOW JUNCTION
7	41200521	ASSY. CHECK NON RETURN VALVE
8	09712070	SUPPORT EN L PUMP ULKA
9	04101370	ULKA PUMP ULKA EX5 230V 50HZ 48W
10	29101380	9X14 BLACK/BROWN SILICONE TUBE
11	11038471	2 Large Straights + 1 Elb
12	09720340	WIRE HOSE CLIP 11.6 - 12.3
13	09712991	ESPRESSO ELECTRO VALVE SUPPORT 3 BODY
14	09713980	ADAPTER STRAIGHT 1/8 PEG 6
15	09705160	Electro Valve Connector Elbow (Espresso)
16	09722580	CORE+SPRING 3 WAY SMALL M&M
16	09729340	CORE+SPRING 3 WAY SMALL OLAB
17	09722590	HOUSING 3 SMALL WAY M&M
17	09729350	HOUSING 3 SMALL WAY OLAB
18	09722510	CORE+SPRING 2 WAY M&M
18	09729370	CORE+SPRING 2 WAY OLAB
19	09722520	HOUSING 2 WAY M&M
19	09729380	HOUSING 2 WAY OLAB
21	09724830	3&2 WAY SOLENOID VALVE SEAL LARGE M&M
22	04401030	Cut Out 120c
22	43226350	SMALL BOILER RESISTANCE LOOM
23	43124450	Temp. Probe
24	01006180	SOC.HD CAP SCR. DIN912 M6X16 ST
25	10037000	UPPER COVER BOILER 315
26	04401020	BOILER RESISTANCE 230V 1100W
27	09712130	BOILER "OREP" SEAL O-RING 70Sh
28	10037010	Boiler Bottom
29	42971700	VITRO S1 SUPPORT BOILER
30	29101020	TUBO PTFE TEFLON 4X6mm LEGRIS 1025T0600

31	09713460	STRAIGHT FITTING M-1/8" R-6
32	09712320	VOLUMETRIC COUNTER
33	09718720	"T" Piece Coffee Brewer
34	09714960	Y FITTING ø4

VITRO S1

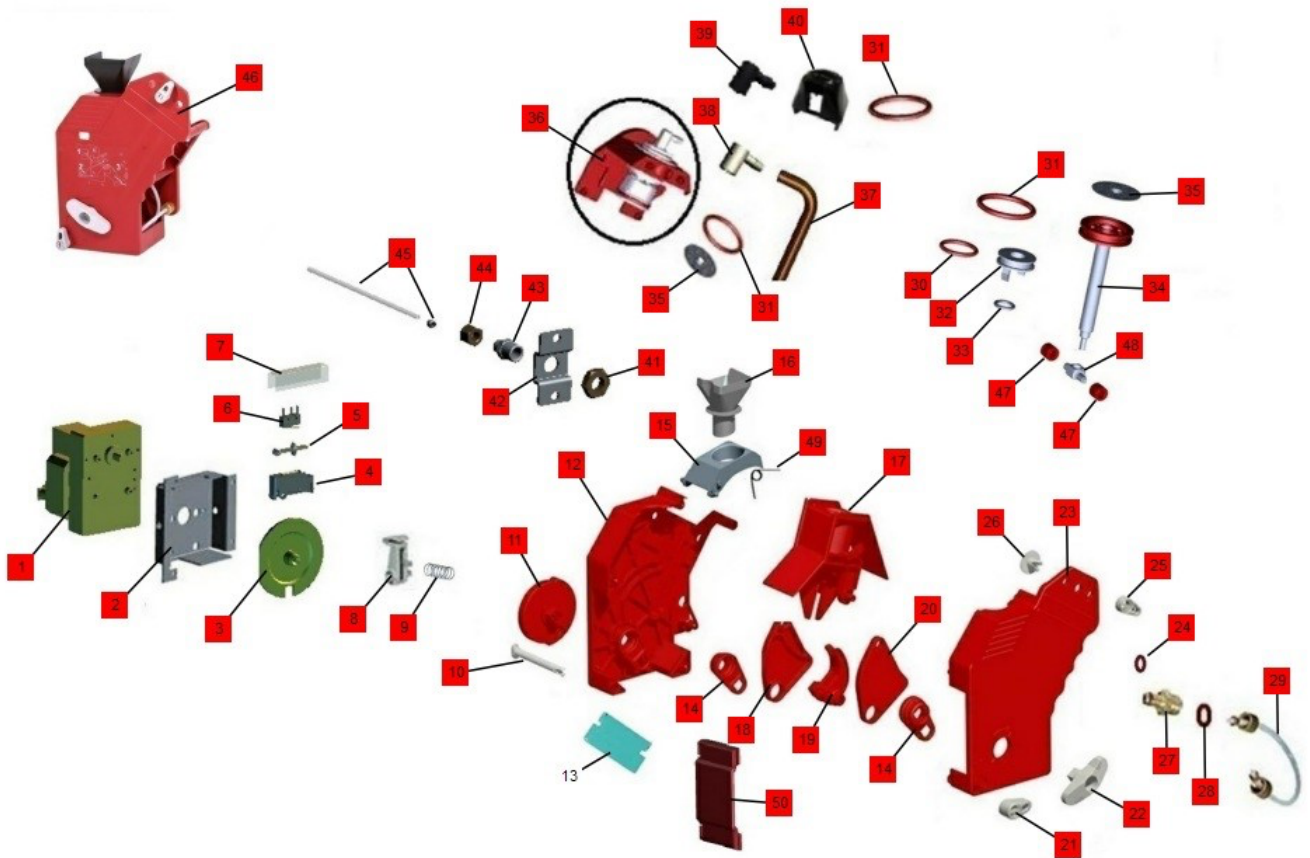
A20031008



Item	Part number	Description
1	31231110	COLD WATER TANK SUPPORT
2	09721560	LEVEL PROBE INOX
3	41232791	COLD WATER TANK
4	04400960	Water Inlet Valve 220/240V - 50/60HZ
5	41200521	ASSY. CHECK NON RETURN VALVE
6	09717950	Pressure Valve
7	09712080	PUMP PIPETTE ULKA EX5
8	09720340	WIRE HOSE CLIP 11.6 - 12.3
9	29101510	Silicone Tube 4x7mm
10	09718720	"T" Piece Coffee Brewer
11	09712320	VOLUMETRIC COUNTER
12	09712070	SUPPORT EN L PUMP ULKA
13	04101370	ULKA PUMP ULKA EX5 230V 50HZ 48W

VITRO S1

A20031009



Item	Part number	Description
1	04101690	BREWER MOTOR (BITRON) H30 97480
2	31230181	SUPPORT MOTOR VITRO S1
3	11025910	MOTOR DISK
4	11025891	Espresso Micro Switch Support
5	11025901	Espresso Micro Switch Lever
6	04001300	Espresso Brewer Microswitch
7	39024090	MICRO COVER GROUP
8	11025881	Brewer Microswitch Trigger
9	12001900	LATCH SPRING
10	11049281	LOWER LATCH GREY
11	11025871	Espresso Group Cam
12	11034481	TAPA IZDA. 2
14	11025811	BRAZO MANIVELA
15	11034501	SCRAPER FUNNEL 2
16	11025721	Espresso Coffee Funnel
17	11034511	CARRY 2
18	11025801	BIELA DCHA.
19	11025821	LEVA INFERIOR
20	11025791	BIELA IZDA.
21	11049291	ESPRESSO LOCK LEVER GREY
22	11025861	PALANCA MANUAL
23	11034491	TAPA DCHA 2
24	09710270	4 47X1 7 DAY ORSI O-RING SEAL
25	11037171	Espresso Lock Lever (Top - Piston)
26	11037161	Espresso Lock Lever Clip
27	11035610	GROUP 2 HOSE
28	09710230	ORSI O-RING SEAL
29	42922460	HOLDER STRAP
30	09710260	İ20 29X2 62 ORSI O-RING SEAL
31	09710240	34X3,53 ORSI 31 O-RING SEAL
32	11025751	SHANK GASKET COVER
33	09715260	O-RING SEAL 10X2 (+OR+) (+HNBR+)
34	11040441	PISTON INFERIOR
35	09704540	SHOWER DIAMETER 32
36	41204841	ASSY. PISTON SUPPORT AZK10
37	29101510	Silicone Tube 4x7mm
38	09712080	PUMP PIPETTE ULKA EX5
39	39023870	PIPETA WITH HOLE
40	11045381	DRIED VALVE

41	10012480	GAS 1/4 NUT
42	31097391	TAP SUPPORT
43	10012820	ADAPTER FEMALE 1/4x1/8
44	10012830	1/8 NUT
45	42972160	LATIGUILLO ENTRADA 165
46	41204811	STANDARD ESPRESSO BREWER AZK10
47	11040451	Brewer Arm Spacer
48	10037960	PORTARUEDAS GRUPO
49	12002340	SPRING FUNNEL SCRAPER 2
50	11049371	Side Cover AZK30

Item	Part number	Description
1	41193191	ASSY VITALE S BEAN HOPPER
2	11037991	CANISTER COVER GRAIN S
3	11038511	SUPLEMENT HOPPER TEMPO M
4	11048501	ZEN M03 COFFEE BEAN HOPPER + PROTECTOR
5	11029051	CANISTER BEAN PRODUCT HATCH
7	03204020	START UP FILTER 12uF 5% 450V 50-60Hz
10	11038421	SINFIN
11	01019401	SPRING PLUNGER WITH BOLT M5
12	11046511	LOWER HOLDER WHEELS M05
13	09715220	GRINDER MILL BLADES R PACK)
14	11046521	TOP HOLDER WHEELS M05
15	11046151	TUNEL FALL COFFEE
16	11046161	TUNNEL COVER COFFEE
17	09723570	STAINLESS STEEL PRECISION BALL Ø7
18	11048491	COFFEE TUNEL
19	11046531	COVER HOLDER WHEELS M05
20	43129060	ASSY. HARNESS LOOM M03 COFFEE SENSOR
21	11038441	SHORT ENDLESS AXIS
23	11000811	TILL CAP
24	11048221	VITRO BEAN HOPPER GRINDER CAP

Item	Part number	Description
1	43206380	HARNESS SCHUKO A IEC (EN60320 C13) 10A
2	04801180	FUSE HOLDER LITTELFUSE-WICKMANN 823+835
3	04801580	10 AMP FUSE
4	04805260	POWER LINE FILTER 470nF/10nF/680K/0.54mH
5	43233360	GENERAL 230V LOOM VITRO S1
7	04300740	230/24V 4A RADIO TRANSFORMER
8	39022250	CASQUILLO TRASFORM. VITALE S
9	04800150	T 6.3L 250v Fuse
10	43316320	DISPLAY VITALE S & S1
11	43124450	Temp. Probe
12	43227150	MAZO EXTRACCION MEDIOS CANALES PROT
13	43320260	FOUR BUTTON BOARD VS
14	43223030	S1 Display loom LCD
15	43320240	BOARD 4 BUTTONS + PR VS
16	43221610	Vitro S1 Ribbon Cable 40cm
18	43233400	ESPRESSO VITRO S1 SIGNAL LOOM
20	43108770	LED Light STRIP Vitro S1
22	04400960	Water Inlet Valve 220/240V - 50/60HZ